

16GFC SFP+ 850nm Transceivers

RTXM228-561

Features

Application

Tri-Rate 4.25/8.5/14.025Gb/s Fiber Channel

Standards

FC-P1-5 Rev 6.00
SFF-8432

SFF-8431 Rev 4
SFF-8472 Rev 11

Descriptions

The RTXM228-561 850nm VCSEL 16GFC Transceiver is designed to transmit and receive serial optical data links up to 14.025Gb/s over multimode fiber. The Transceiver is compliant with FC-P1-5, SFF-8432, SFF-8472, and applicable portions of SFF-8431. The transmitter converts serial CML electrical data into serial optical data. An open collector compatible Transmit Disable (Tx_Dis) is provided. When TX_DIS is asserted High, Transmitter is turned off. The receiver converts serial optical data into serial CML electrical data. An open collector compatible Loss of Power is provided. The RX_LOS signal indicates insufficient optical power for reliable signal reception at the receiver. Digital diagnostics functions are available via a 2-wire serial interface, as specified in SFF-8472.

Block diagram

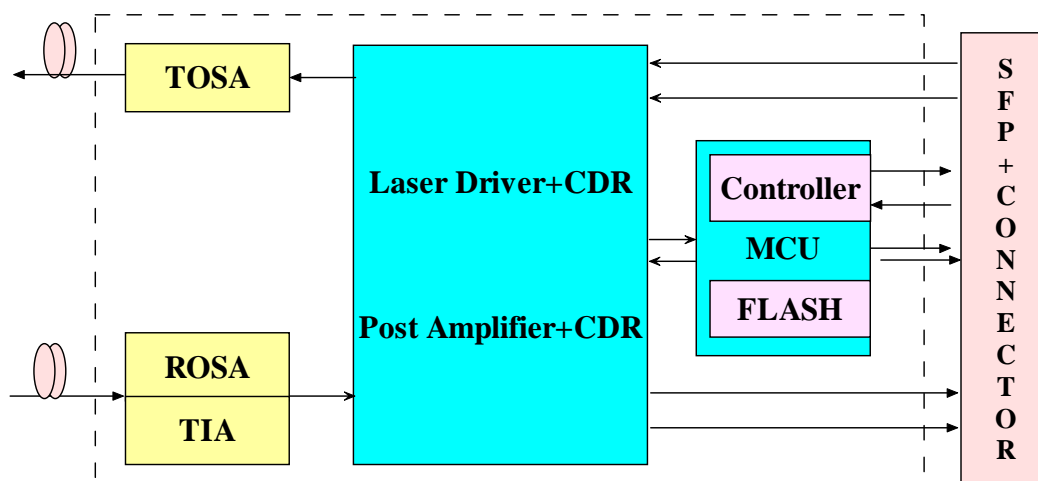


Figure 1 Transceiver functional diagram

Absolute Maximum Ratings

Parameter	Symbol	Unit	Min	Max
-----------	--------	------	-----	-----